



Engine Yanmar 4TNV88

Type	Diesel, 4 Stroke
Cooling	Water cooled
Cylinders	4
Cylinder block material	Cast iron
Bore (mm - in)	88 - 3.46
Stroke (mm - in)	90 - 3.54
Displacement (c.c. - cu.in)	2190 - 133.6
Engine output (hp)	24,5
RPM	1500
Compression ratio	18:1
Injection system	Direct
Cylinder head material	Cast iron
Governor	Centrifugal, mechanical
Lubrication system	Forced
Oil sump capacity (lt)	7,4
Stop system	Solenoid
Fuel consumption (g/hp/h - oz/hp/h)	165 - 5.77
Starter battery (Ah-V)	80 - 12
Battery charger (Ah-V)	15 - 12
Starter motor (kW-V)	1.4 / 12
Max. permissible cont. angle	30°
Fuel tank capacity (lt.)	50

Generator

Type	Synchronous, 4 poles, selfexcited
Regulation	Electronic
Voltage (V)	400 / 230
Frequency (Hz)	50
<b>3-Phase Output</b>	400 V
Max. output	22 kVA
Cont. output	20 kVA
<b>1-Phase Output</b>	230 V
Max. output available	13.5 kVA
Power factor (cos φ)	0.8
Insulation class	H
Voltage stability	±2%
Frequency stability	±2.5%

### Soundproof cabin

With a frame and openable hoods made of stainless steel panels.



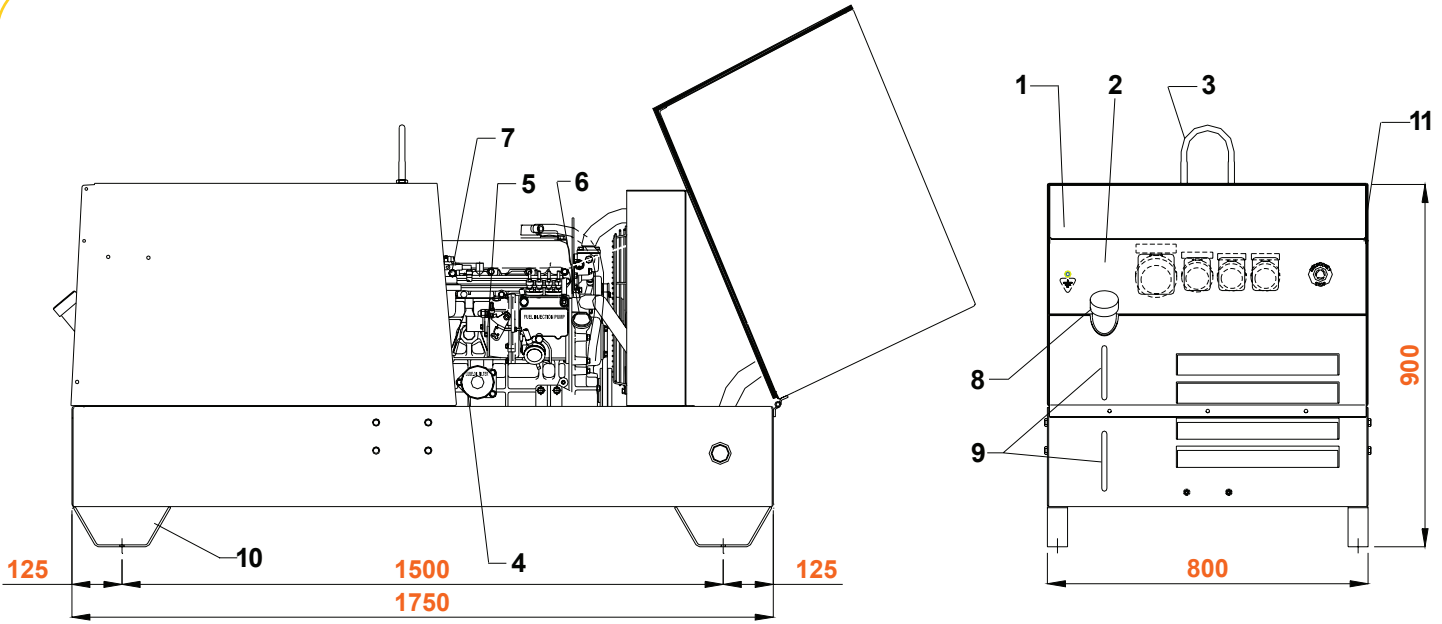
### Engine

- Easy access in case of maintenance to the feeding system, the lubrication and the air filter.
- Safety stop in case of low oil pressure.
- Safety stop in case of high water temperature.
- Oil and fuel filters of easy access.
- Water cooled with radiator.

### Generator

- Synchronous, 4 poles, self-excited, with AVR
- Rotor and stator epoxy resin coated against external agents.
- Rotor dynamically balanced.
- Insulation class H.

# MPV 22



- 1- Control panel
- 2- Outlets
- 3- Lifting eye
- 4- Oil filter cartridge
- 5- Oil deep stick
- 6- Oil fill cap
- 7- Fuel filter
- 8- Fuel filler cap
- 9- Fuel level
- 10- Bracket
- 11- Control panel lock

MPV 22	
length	1750 mm
width	800 mm
height	900 mm
Weight	600 kg
noise level 94 Lwa	

## MANUAL OPERATED CONTROL PANEL

The **mase** manual starting control panel has been designed and built to combine all the control instruments and warning lights both for the engine and the generator.

The sheet steel made panel is painted and proofed against the rain.

The main equipments included on the control panel are the following:

- Ammeter; • Voltmeter; • 4-pole circuit breaker and earth fault device;
- 1-pole circuit breaker; • Electronic device for automatic shutdown of the engine in case of HWT and LOP; • Emergency stop button; • Starting key;
- Warning light for: high cooling water temperature, low oil pressure;
- Hour meter; • Socket 16A 400V 3P+N+E; • Socket 32A 400V 3P+N+E;
- N°2 Socket 16A 230V 2P+E. - Connector for automatic c.panel

## OPTIONALS

- 2 WHEELS SITE TOW
- HANDLES AND WHEELS



*mase generators s.p.a. reserves the right to change the design or specifications without notice and without any obligation or liability whatsoever.*